



Diseño / Desing: De acuerdo a AWWA C515 / According to AWWA C515
Instalación de Brida / Flange Connection: ANSI B16.1 Clase 150
Cara a Cara / Face to Face: BS5163
Presión Nominal / Nominal Pressure: 250 PSI (17.57 kg/cm2)

Paso liso y directo.
 Menor maniobra de Torque.
 Fácil mantenimiento.

Unimpeded direct passage
 Low operating torques.
 Easy maintenance.



No. 1506355



<https://www.wras.co.uk/search/products/1506355>

Productos / Products

| Tipo / Type | PN | Cara a Cara / Face to Face | Bridas / Flanges | Diámetro / Diameter Size | | | | | | | | | | | | | |
|-------------|----|----------------------------|------------------|--------------------------|----|------|----|----|----|----|-----|-----|-----|-----|-----|-----|-----|
| | | | | Inch / Pulg. | 2" | 2.5" | 3" | 4" | 6" | 8" | 10" | 12" | 14" | 16" | 18" | 20" | 24" |
| AME-CRC515 | 16 | BS5163 | ANSI B16.1 | | ✓ | ✓ | ✓ | ✓ | ✓ | ✓ | ✓ | ✓ | ✓ | ✓ | ✓ | ✓ | ✓ |

Recubrimiento: Epoxico Electrostático Blue Ral conforme AWWA C550
 Coating: Electrostatic epoxy according to AWWA C550

CARACTERÍSTICAS / MAIN FEATURES

- Fabricada en Hierro dúctil para resistir repentinos golpes de ariete.
- Funcionamiento eficiente después de largos periodos de función, cerrada o abierta.
- Reemplazo de juntas tóricas del vástago adecuado bajo presión.
- Cara lisa para flujo óptimo.
- Asientos de superficie lisa que garantiza la limpieza del cuerpo y asiento.
- Pies y sujetadores (clip) que facilitan la instalación y almacenamiento.
- La guía del asiento garantiza el cierre de la válvula.
- Vástago de Acero Inoxidable SS420 resistente a la tracción y a la corrosión.
- Tornillos cubiertos con cera y resistentes a la corrosión.
- Bajo torque de operación.
- Tuerca del vástago reemplazable.
- Válvula de cierre Bi-direccional.
- Instalación Vertical y Horizontal.
- Mantenimiento sin desmontar la válvula de la tubería.
- Ductile iron construction provides high strength to withstand sudden water hammer.
- Efficient operation after long periods of non-use in either open or closed positions.
- Stem O-ring seal arrangement suitable for replacement under pressure.
- Full clear bore for optimum flow.
- Smooth surface seating ensure self cleaning body and seat faces.
- Integral cast feet offer ease of storage and installation.
- The guide seat ensures the closing of the valve.
- High tensile stainless steel stem SS420 ensures strength and corrosion resistance.
- Bolting sealed with wax for added corrosion resistance.
- Low operation torque.
- Replaceable stem nut.
- Shut-off valve with two way direction.
- Vertical and horizontal installation available.
- Easy maintenance without removing of the pipe.

Válvula compuerta Resilente

MOD. AME-CRC515

Gate valve resilient seat

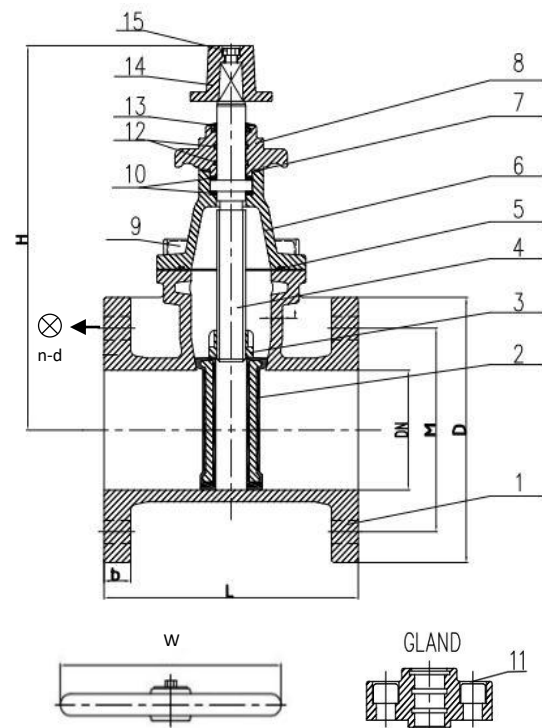
AWWA C515 / ANSI

COMPONENTES / COMPONENTS

| Pruebas / Test | | | |
|----------------|----------------------------------|---------------------------------------|--------|
| 1 | Presión Normal / Normal Pressure | PN 16 | 16 BAR |
| 2 | Coraza / Shell | 500 PSI (35.15 Kg / cm ²) | |
| 3 | Asiento / Seat | 250 PSI (17.57 Kg / cm ²) | |
| 4 | Temp. Trabajo / Working Temp. | < 85° C | |



| No. | Componente / Component | | Material / Materials | Norma aplicable / Standard |
|-----|------------------------|-----------|--------------------------------------------|--------------------------------------|
| 1 | Cuerpo | Body | Hierro Dúctil / Ductile Iron | ASTM A536 65-45-12 |
| 2 | Asiento | Seat | Hierro D. / Ductile I. / Encapsulated EPDM | ASTM A536 65-45-12 / EPDM ASTM D2000 |
| 3 | Tuerca de Vástago | Steam Nut | Bronce / Bronze | Bronce ASTM B584 C83600 |
| 4 | Vástago | Steam | Acero Inoxidable 420 / Stainless steel 420 | ASTM A276 420 |
| 5 | Junta | Gasket | EPDM / NBR | ASTM D2000 |
| 6 | Bonete | Bonnet | Hierro Dúctil / Ductile Iron | ASTM A536 65-45-12 |
| 7 | Anillo | O-ring | NBR | ASTM D2000 |
| 8 | Bonete | Bonnet | Hierro Dúctil / Ductile Iron | ASTM A536 65-45-12 |
| 9 | Tornillos | Bolts | A. INOX 304 / SS 304 | ASTM A276 304 |
| 10 | Arandela | Washer | Bronce / PA6 / BRASS | Bronce ASTM B584 C83600 |
| 11 | Tornillos | Bolts | A. Inox. 304 / SS 304 | ASTM A276 304 |
| 12 | Anillo | O-Ring | NBR | ASTM D2000 |
| 13 | Cubre Polvo | Dust Cap | NBR | ASTM D2000 |
| 14 | Op. Dado | Top Cap | Hierro Dúctil / Ductile Iron | ASTM A536 65-45-12 |
| 15 | Tornillos | Bolts | A. Inox. 304 / SS 304 | ASTM A276 304 |



| DIMENSIONES / DIMENSIONS (mm) | | | | | | | | | | |
|-------------------------------|-----|------|-------|-----|------|-------|------|---------------------|------------------|-----------------|
| DN | L | H | M | D | b | n-d | t | Handwheel / Volante | Peso kg / Weight | Vueltas / Turns |
| 2" | 178 | 250 | 120.5 | 152 | 16 | 4-19 | 6 | 180 | 11 | 14 |
| 2.5" | 190 | 270 | 139.5 | 178 | 18 | 4-19 | 7 | 180 | 15 | 15 |
| 3" | 203 | 283 | 152.5 | 191 | 19.1 | 4-19 | 7.6 | 200 | 20 | 16 |
| 4" | 229 | 320 | 190.5 | 229 | 19.1 | 8-19 | 7.9 | 250 | 28 | 20 |
| 6" | 267 | 485 | 241.5 | 279 | 19.1 | 8-22 | 8.1 | 300 | 56 | 31 |
| 8" | 292 | 515 | 298.5 | 343 | 22.2 | 8-22 | 8.6 | 350 | 81 | 35 |
| 10" | 330 | 610 | 362 | 406 | 23.8 | 12-25 | 9.1 | 400 | 121 | 40 |
| 12" | 356 | 695 | 432 | 483 | 25.4 | 12-25 | 9.7 | 500 | 178 | 48 |
| 14" | 381 | 835 | 476 | 533 | 25.4 | 12-29 | 11.4 | 600 | 273 | 58 |
| 16" | 406 | 953 | 539.5 | 597 | 25.4 | 16-29 | 12.7 | 600 | 345 | 66 |
| 18" | 432 | 1050 | 578 | 635 | 25.4 | 16-32 | 14.2 | 750 | 438 | 37 |
| 20" | 457 | 1160 | 635 | 699 | 28.6 | 20-32 | 14.2 | 750 | 585 | 41 |
| 24" | 508 | 1445 | 749.5 | 813 | 30.1 | 20-35 | 15.7 | 750 | 770 | 50 |

* Las dimensiones y peso pueden cambiar sin previo aviso / * Dimensions and weight can be changed without notification.

El volante es opcional (Consultar) / The handwheel is optional (consult)

