

Solar DC String Box



Customize 1000V 1500V
Combiner Boxes



The Best DC Components for The Best Result.



About ZJBENY

Top 1 manufacturer of DC components and combiner boxes in China.
With more than 10 years experience in solar DC solutions designing, producing and testing.

We are one of the manufacturers own the DC electrical cycle tester in China, the test equipment is important for keeping the DC switch at high quality level.

The first DC switch listed by UL508i.

The standard DC isolator recommended by Clean Energy Council Australia.

ZJBENY is supplying reliable DC components to top inverter companies and EPCs worldwide.

1000V 1500V solar solutions DC side and AC side is available.



Solar DC String Box

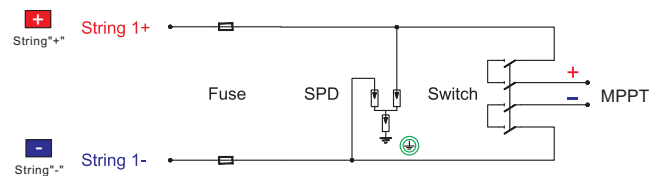
1 String Input 1 String Output DC



General Data		DC Surge Arrester	BUD-40/3
Model No.	BHS-1/1	Max Operation Voltage (Ucpv)	1000V
Input	1 string	Standard Compliance with	EN 50539 Type 2
Output	1 string	Maximum Discharge Current	40 KA
Maximum Voltage	1000V	Certification	TUV CE
Max DC Short Circuit Current Per Input (Isc)	15A (Changeable)		
Maximum Current Output	32A		
Enclosure		DC fuse holder	BR-30
Material Type	Polycarbonate/ABS	LED Indicator	Yes
Degree of Protection	IP65	Rated Working Voltage	1000V
Degree of Resistance to Impacts	IK10	Fuse Link	10x38mm LITTEL 15A
Dimension (WxHxD)	292 x 220 x 120mm	Certification	UL,CB,CE
Cable input Entry	PG09 Cable Gland, 2.5-16mm ²		
Output Cable Gland	PG21 2.5-16mm ²		
DC Switch Disconnecter		Environment	
Rated Insulation Voltage (Ui)	1000V	Operating Temperature	-20°C~+60°C
Rated Current (Ie)	32A	Humidity	99%
Category	DC21B/PV2	Altitude	2000M
Standard Compliance with	IEC 60947-3	Installation	Wall Mounting
Certification	UL, TUV,KEMA,SAA,CE		



BHS-1/1





Solar DC String Box

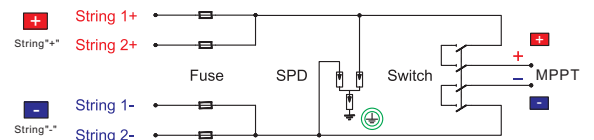
2 Strings Input 1 String Output DC



General Data		DC Surge Arrester	BUD-40/3
Model No.	BHS-2/1	Max Operation Voltage (Ucpv)	1000V
Input	2 strings	Standard Compliance with	EN 50539 Type 2
Output	1 string	Maximum Discharge Current	40 KA
Maximum Voltage	1000V	Certification	TUV CE
Max DC Short Circuit Current Per Input (Isc)	15A (Changeable)		
Maximum Current Output	32A		
Enclosure		DC fuse holder	BR-30
Material Type	Polycarbonate/ABS	LED Indicator	Yes
Degree of Protection	IP65	Rated Working Voltage	1000V
Degree of Resistance to Impacts	IK10	Fuse Link	10x38mm LITTEL 15A
Dimension (WxHxD)	292 x 220 x 120mm	Certification	UL,CB,CE
Cable input Entry	PG09 Cable Gland, 2.5-16mm ²		
Output Cable Gland	PG21 2.5-16mm ²		
DC Switch Disconnecter		Environment	
Rated Insulation Voltage (Ui)	1000V	Operating Temperature	-20°C~+60°C
Rated Current (Ie)	32A	Humidity	99%
Category	DC21B/PV2	Altitude	2000M
Standard Compliance with	IEC 60947-3	Installation	Wall Mounting
Certification	UL, TUV,KEMA,SAA,CE		



BHS-2/1





Solar DC String Box

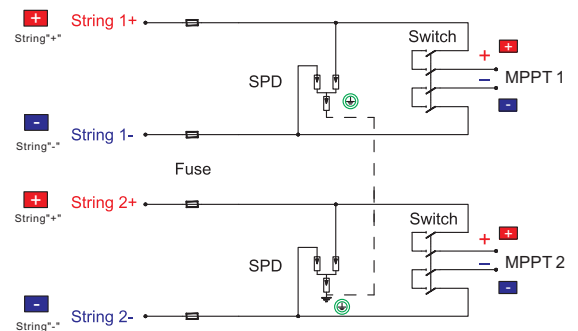
2 Strings Input 2 Strings Output DC



General Data		DC Surge Arrester	BUD-40/3
Model No.	BHS-2/2	Max Operation Voltage (Ucpv)	1000V
Input	2 strings	Standard Compliance with	EN 50539 Type 2
Output	2 strings	Maximum Discharge Current	40 KA
Maximum Voltage	1000V	Certification	TUV CE
Max DC Short Circuit Current Per Input (Isc)	15A (Changeable)		
Maximum Current Output	32A		
Enclosure		DC fuse holder	BR-30
Material Type	Polycarbonate/ABS	LED Indicator	Yes
Degree of Protection	IP65	Rated Working Voltage	1000V
Degree of Resistance to Impacts	IK10	Fuse Link	10x38mm LITTEL 15A
Dimension (WxHxD)	292 x 370 x 132mm	Certification	UL,CB,CE
Cable input Entry	PG09 Cable Gland, 2.5-16mm ²		
Output Cable Gland	PG21 2.5-16mm ²		
DC Switch Disconnecter		Environment	
Rated Insulation Voltage (Ui)	1000V	Operating Temperature	-20°C~+60°C
Rated Current (Ie)	32A	Humidity	99%
Category	DC21B/PV2	Altitude	2000M
Standard Compliance with	IEC 60947-3	Installation	Wall Mounting
Certification	UL, TUV,KEMA,SAA,CE		



BHS-2/2



ZHEJIANG BENYI ELECTRICAL CO., LTD

Wenzhou Bridge Industrial Zone,
Beibaixiang Town, Zhejiang China

TEL: +86-577-5717 7008
FAX: +86-577-5717 7007

www.zjbeny.com
E-mail: benyi@zjbeny.com



Solar DC String Box

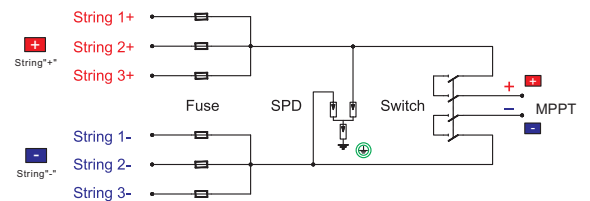
3 Strings Input 1 String Output DC



General Data		DC Surge Arrester	BUD-40/3
Model No.	BHS-3/1	Max Operation Voltage (Ucpv)	1000V
Input	3 strings	Standard Compliance with	EN 50539 Type 2
Output	1 string	Maximum Discharge Current	40 KA
Maximum Voltage	1000V	Certification	TUV CE
Max DC Short Circuit Current Per Input (Isc)	15A (Changeable)		
Maximum Current Output	32A		
Enclosure		DC fuse holder	BR-30
Material Type	Polycarbonate/ABS	LED Indicator	Yes
Degree of Protection	IP65	Rated Working Voltage	1000V
Degree of Resistance to Impacts	IK10	Fuse Link	10x38mm LITTEL 15A
Dimension (WxHxD)	292 x 220 x 120mm	Certification	UL,CB,CE
Cable input Entry	PG09 Cable Gland, 2.5-16mm ²		
Output Cable Gland	PG21 2.5-16mm ²		
DC Switch Disconnecter		Environment	
Rated Insulation Voltage (Ui)	1000V	Operating Temperature	-20°C~+60°C
Rated Current (Ie)	32A	Humidity	99%
Category	DC21B/PV2	Altitude	2000M
Standard Compliance with	IEC 60947-3	Installation	Wall Mounting
Certification	UL, TUV,KEMA,SAA,CE		



BHS-3/1



ZHEJIANG BENYI ELECTRICAL CO., LTD

Wenzhou Bridge Industrial Zone,
Beibaixiang Town, Zhejiang China

TEL: +86-577-5717 7008
FAX: +86-577-5717 7007

www.zjbeny.com
E-mail: benyi@zjbeny.com

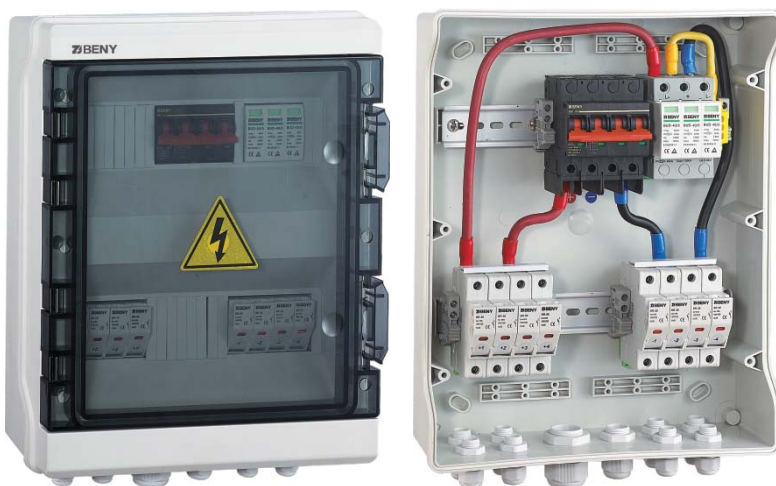


Solar DC String Box

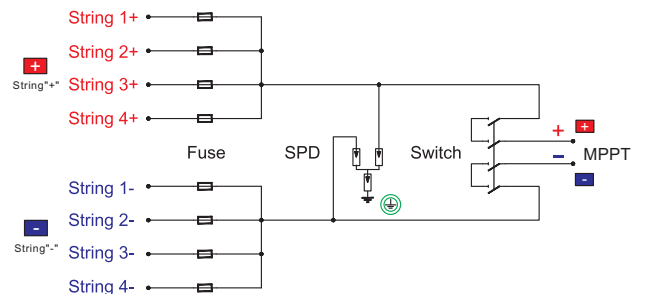
4 Strings Input 1 String Output DC



General Data		DC Surge Arrester	BUD-40/3
Model No.	BHS-4/1	Max Operation Voltage (Ucpv)	1000V
Input	4 strings	Standard Compliance with	EN 50539 Type 2
Output	1 string	Maximum Discharge Current	40 KA
Maximum Voltage	1000V	Certification	TUV CE
Max DC Short Circuit Current Per Input (Isc)	15A (Changeable)		
Maximum Current Output	63A		
Enclosure		DC fuse holder	BR-30
Material Type	Polycarbonate/ABS	LED Indicator	Yes
Degree of Protection	IP65	Rated Working Voltage	1000V
Degree of Resistance to Impacts	IK10	Fuse Link	10x38mm LITTEL 15A
Dimension (WxHxD)	292 x 370x 132mm	Certification	UL,CB,CE
Cable input Entry	PG09 Cable Gland, 2.5-16mm ²		
Output Cable Gland	PG21 2.5-16mm ²		
DC Switch Disconnecter		Environment	
Rated Insulation Voltage (Ui)	1000V	Operating Temperature	-20°C~+60°C
Rated Current (Ie)	63A	Humidity	99%
Category	DC21B	Altitude	2000M
Standard Compliance with	IEC 60947-3	Installation	Wall Mounting
Certification	CB, CE		



BHS-4/1



ZHEJIANG BENYI ELECTRICAL CO., LTD

Wenzhou Bridge Industrial Zone,
Beibaixiang Town, Zhejiang China

TEL: +86-577-5717 7008
FAX: +86-577-5717 7007

www.zjbeny.com
E-mail: benyi@zjbeny.com



Solar DC String Box

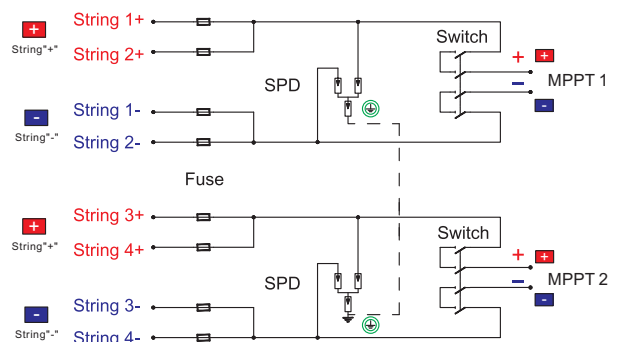
4 Strings Input 2 Strings Output DC



General Data		DC Surge Arrester	BUD-40/3
Model No.	BHS-4/2	Max Operation Voltage (Ucpv)	1000V
Input	4 strings	Standard Compliance with	EN 50539 Type 2
Output	2 strings	Maximum Discharge Current	40 KA
Maximum Voltage	1000V	Certification	TUV CE
Max DC Short Circuit Current Per Input (Isc)	15A (Changeable)		
Maximum Current Output	32A		
Enclosure		DC fuse holder	BR-30
Material Type	Polycarbonate/ABS	LED Indicator	Yes
Degree of Protection	IP65	Rated Working Voltage	1000V
Degree of Resistance to Impacts	IK10	Fuse Link	10x38mm LITTEL 15A
Dimension (WxHxD)	292 x370 x 132mm	Certification	UL,CB,CE
Cable input Entry	PG09 Cable Gland, 2.5-16mm ²		
Output Cable Gland	PG21 2.5-16mm ²		
DC Switch Disconnecter		Environment	
Rated Insulation Voltage (Ui)	1000V	Operating Temperature	-20°C~+60°C
Rated Current (Ie)	32A	Humidity	99%
Category	DC21B/PV2	Altitude	2000M
Standard Compliance with	IEC 60947-3	Installation	Wall Mounting
Certification	UL, TUV,KEMA,SAA,CE		



BHS-4/2



ZHEJIANG BENYI ELECTRICAL CO., LTD

Wenzhou Bridge Industrial Zone,
Beibaixiang Town, Zhejiang China

TEL: +86-577-5717 7008
FAX: +86-577-5717 7007

www.zjbeny.com
E-mail: benyi@zjbeny.com



Solar DC String Box

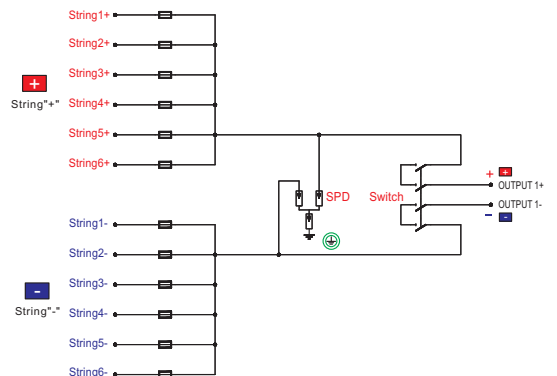
6 Strings Input 1 String Output DC



General Data		DC Surge Arrester	BUD-40/3
Model No.	BHS-6/1	Max Operation Voltage (Ucpv)	1000V
Input	6 strings	Standard Compliance with	EN 50539 Type 2
Output	1 string	Maximum Discharge Current	40 KA
Maximum Voltage	1000V	Certification	TUV CE
Max DC Short Circuit Current Per Input (Isc)	15A (Changeable)		
Maximum Current Output	80A		
Enclosure		DC fuse holder	BR-30
Material Type	Polycarbonate/ABS	LED Indicator	Yes
Degree of Protection	IP65	Rated Working Voltage	1000V
Degree of Resistance to Impacts	IK10	Fuse Link	10x38mm LITTEL 15A
Dimension (WxHxD)	540 x 360x 180mm	Certification	UL,CB,CE
Cable input Entry	PG09 Cable Gland, 2.5-16mm ²		
Output Cable Gland	PG36 50-70mm ²		
DC Switch Disconnecter		Environment	
Rated Insulation Voltage (Ui)	1000V	Operating Temperature	-20°C~+60°C
Rated Current (Ie)	125A	Humidity	99%
Standard Compliance with	IEC 60947-3	Altitude	2000M
Certification	CB, CE	Installation	Wall Mounting



BHS-6/1



ZHEJIANG BENYI ELECTRICAL CO., LTD

Wenzhou Bridge Industrial Zone,
Beibaixiang Town, Zhejiang China

TEL: +86-577-5717 7008
FAX: +86-577-5717 7007

www.zjbeny.com
E-mail: benyi@zjbeny.com

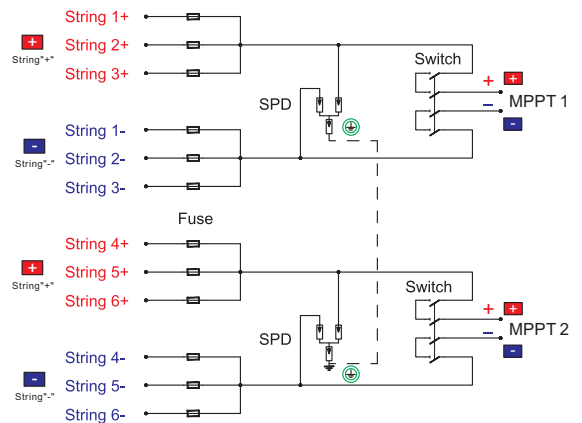


Solar DC String Box

6 Strings Input 2 Strings Output DC



General Data		DC Surge Arrester	BUD-40/3
Model No.	BHS-6/2	Max Operation Voltage (Ucpv)	1000V
Input	6 strings	Standard Compliance with	EN 50539 Type 2
Output	2 strings	Maximum Discharge Current	40 KA
Maximum Voltage	1000V	Certification	TUV CE
Max DC Short Circuit Current Per Input (Isc)	15A (Changeable)		
Maximum Current Output	32A		
Enclosure		DC fuse holder	BR-30
Material Type	Polycarbonate/ABS	LED Indicator	Yes
Degree of Protection	IP65	Rated Working Voltage	1000V
Degree of Resistance to Impacts	IK10	Fuse Link	10x38mm LITTEL 15A
Dimension (WxHxD)	292 x 370x 132mm	Certification	UL, CB, CE
Cable input Entry	PG09 Cable Gland, 2.5-16mm ²		
Output Cable Gland	PG21 2.5-16mm ²		
DC Switch Disconnecter		Environment	
Rated Insulation Voltage (Ui)	1000V	Operating Temperature	-20°C~+60°C
Rated Current (Ie)	32A	Humidity	99%
Category	DC21B/PV2	Altitude	2000M
Standard Compliance with	IEC 60947-3	Installation	Wall Mounting
Certification	UL, TUV, KEMA, SAA, CE		



BHS-6/2

ZHEJIANG BENYI ELECTRICAL CO., LTD

Wenzhou Bridge Industrial Zone,
Beibaixiang Town, Zhejiang China

TEL: +86-577-5717 7008
FAX: +86-577-5717 7007

www.zjbeny.com
E-mail: benyi@zjbeny.com

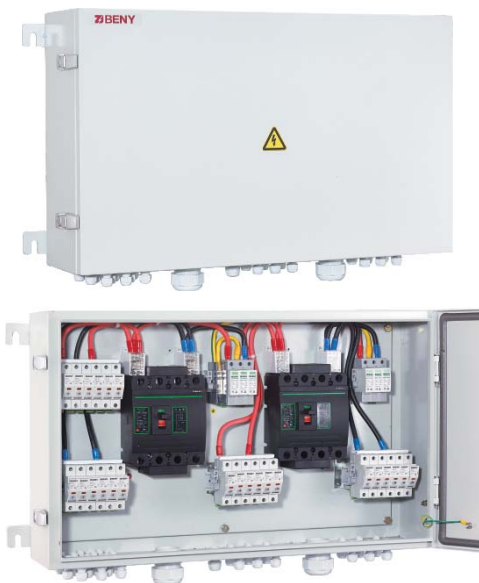


Solar DC String Box

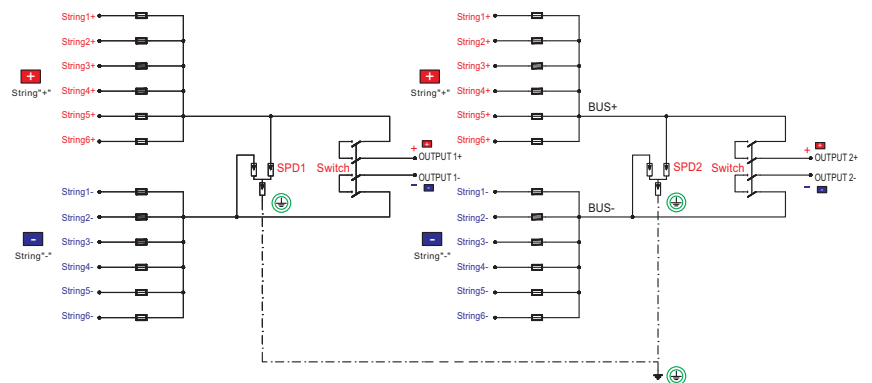
12 Strings Input 2 Strings Output DC



General Data		DC Surge Arrester	BUD-40/3
Model No.	BHT-12/2	Max Operation Voltage (Ucpv)	1000V
Input	12 strings	Standard Compliance with	EN 50539 Type 2
Output	2 strings	Maximum Discharge Current	40 KA
Maximum Voltage	1000V	Certification	TUV CE
Max DC Short Circuit Current Per Input (Isc)	15A (Changeable)	String Monitoring Device	Yes (optional)
Maximum Current Output	125A	Diode for the Function of Anti-Reflex	Yes (optional)
Enclosure		DC fuse holder	BR-30
Material Type	Metal	LED Indicator	Yes
Degree of Protection	IP65	Rated Working Voltage	1000V
Degree of Resistance to Impacts	IK10	Fuse Link	10x38mm LITTEL 15A
Dimension (WxHxD)	750x450x180mm	Certification	UL,CB,CE
Cable input Entry	PG09 Cable Gland, 2.5-16mm ²		
Output Cable Gland	PG36 50-70mm ²		
DC Switch Disconnecter		Environment	
Rated Insulation Voltage (Ui)	1000V	Operating Temperature	-20°C~+60°C
Rated Current (Ie)	125A	Humidity	99%
Standard Compliance with	IEC 60947-3	Altitude	2000M
Certification	CB	Installation	Wall Mounting



BHT-12/2



ZHEJIANG BENYI ELECTRICAL CO., LTD

Wenzhou Bridge Industrial Zone,
Beibaixiang Town, Zhejiang China

TEL: +86-577-5717 7008
FAX: +86-577-5717 7007

www.zjbeny.com
E-mail: benyi@zjbeny.com



Solar DC String Box

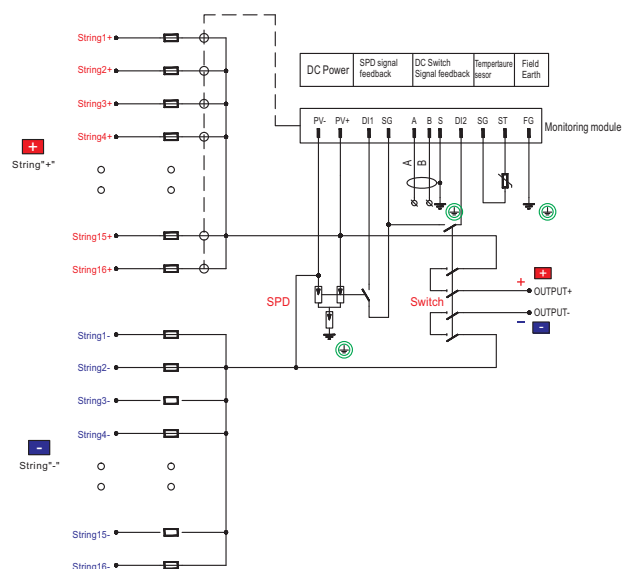
16 Strings Input 1 String Output DC



General Data		DC Surge Arrester	BUD-40/3
Model No.	BHTZ-16/1	Max Operation Voltage (Ucpv)	1000V
Input	16 strings	Standard Compliance with	EN 50539 Type 2
Output	1 string	Maximum Discharge Current	40 KA
Maximum Voltage	1000V	Certification	TUV CE
Max DC Short Circuit Current Per Input (Isc)	15A (Changeable)	String Monitoring Device	Yes (optional)
Maximum Current Output	250A	Diode for the Function of Anti-Reflex	Yes (optional)
Enclosure		DC fuse holder	BR-30
Material Type	Metal	LED Indicator	Yes
Degree of Protection	IP65	Rated Working Voltage	1000V
Degree of Resistance to Impacts	IK10	Fuse Link	10x38mm LITTEL 15A
Dimension (WxHxD)	650 x 600x 210mm	Certification	UL,CB,CE
Cable input Entry	PG09 Cable Gland, 2.5-16mm ²		
Output Cable Gland	PG36 50-70mm ²		
DC Switch Disconnecter		Environment	
Rated Insulation Voltage (Ui)	1000V	Operating Temperature	-20°C~+60°C
Rated Current (Ie)	250A	Humidity	99%
Standard Compliance with	IEC 60947-3	Altitude	2000M
Certification	CB	Installation	Wall Mounting



BHTZ-16/1



ZHEJIANG BENYI ELECTRICAL CO., LTD

Wenzhou Bridge Industrial Zone,
Beibaixiang Town, Zhejiang China

TEL: +86-577-5717 7008
FAX: +86-577-5717 7007

www.zjbeny.com
E-mail: benyi@zjbeny.com



AC Box

BBXW-1 AC Distribution Box



General Data

Model No.	BBXW-1
Main circuit rated Voltage	AC 230V/400V
Auxiliary circuit rated voltage	AC230V
Rated Current	0-500A
Rated frequency	50-60Hz

AC Surge Arrester

Electric rating	220V~400V, 50-60HZ, 3 phase
Maximum Discharge Current	40 KA
Standard Compliance with	EN 61643
Certification	CE

Enclosure

Material Type	Metal
Degree of Protection	IP65

Power Meter

Rated supply voltage (Us)	100~277 V AC(45~65 Hz)/173~480 V AC(45~65 Hz)
Network frequency	50 Hz /60 Hz
Rated current (In)	1 A /5 A
Poles description	3P /3P + N
Power consumption in VA	5 VA
Display type	Backlit LCD

Modular measurement and control relays NH40

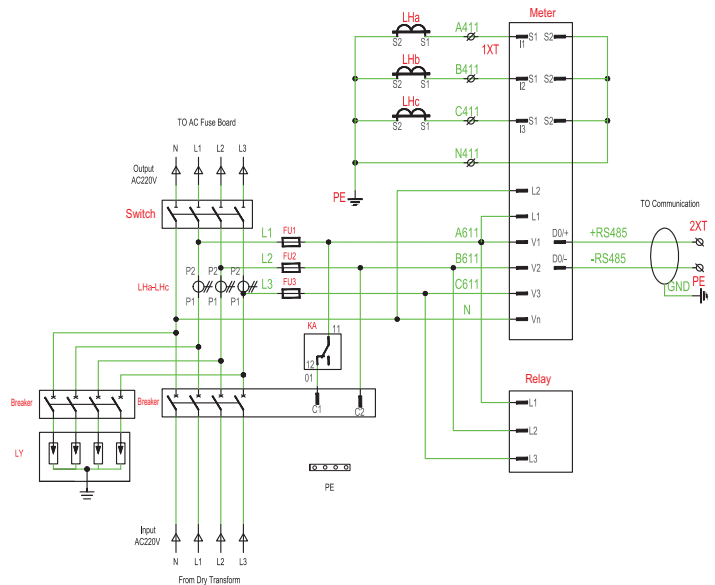
Network number of phases	3 phases
Rated Current	0-500A
Measurement range	220V~400V voltage AC
Supply frequency	50~60 Hz +/- 10 %

Environment

Operating Temperature	-20°C~+60°C
Humidity	99%
Altitude	2000M
Installation	Wall Mounting



BBXW-1



ZJBENY design and assemble AC combiner box and AC distribution box for solar PV systems AC side string protection and distribution. To reduce the system connection cable length and improve the reliability of the system, it is necessary to use the AC grid box between the inverter and the network cabinet. AC combine box has lightning protection and switch isolation, set aside energy measurement function, for single-phase energy and three-phase energy measurement and control management.



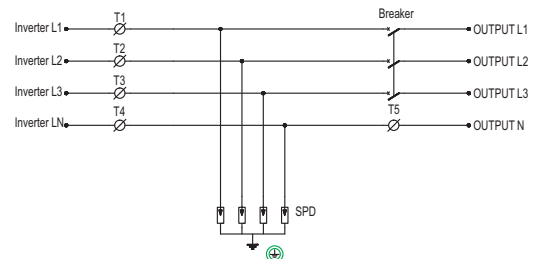
AC Box BBXW AC Distribution Box



General Data		AC Surge Arrester	
Model No.	BBXW	Electric rating	220V~440V, 50-60HZ
Rated Voltage	AC 220V~400V	Maximum Discharge Current	40 KA
Rated Current	0-125A	Standard Compliance with	EN 61643-11
Rated frequency	50-60Hz	Certification	CE
Enclosure		Environment	
Material Type	Polycarbonate/ABS	Operating Temperature	-20°C~+60°C
Degree of Protection	IP65	Humidity	99%
Degree of Resistance to Impacts	IK10	Altitude	2000M
Dimension (WxHxD)	292 x 220x 120mm	Installation	Wall Mounting
Cable input Entry	PG25 2.5-25mm ²		
Output Cable Gland	PG25 2.5-25mm ²		
Modular measurement and control relays			
Network number of phases	Single Phase/3 Phases		
Rated Current	0-125A		
Measurement range	220V~400V voltage AC		
Supply frequency	50~60 Hz ± 10%		



BBXW



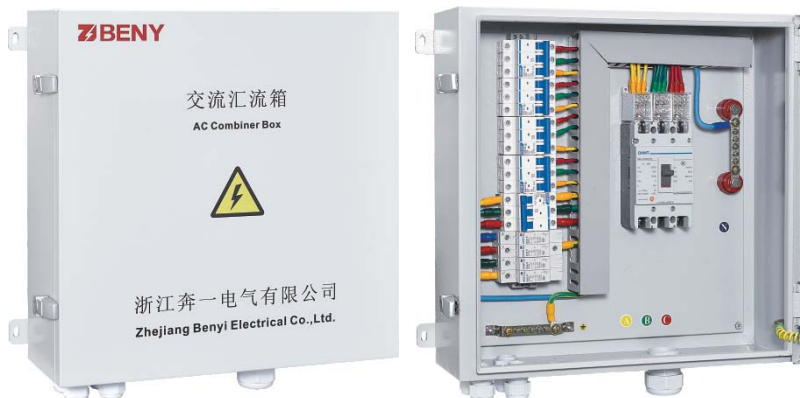
ZJBENY design and assemble AC combiner box and AC distribution box for solar PV systems AC side string protection and distribution. To reduce the system connection cable length and improve the reliability of the system, it is necessary to use the AC grid box between the inverter and the network cabinet. AC combine box has lightning protection and switch isolation, set aside energy measurement function, for single-phase energy and three-phase energy measurement and control management.



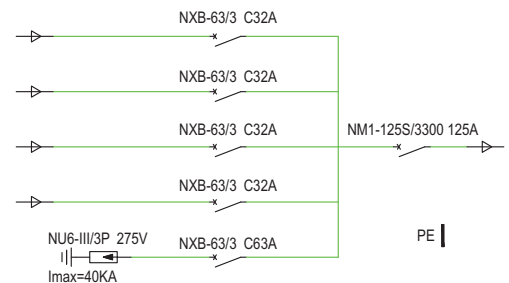
AC Combiner box BBXW-4



General Data		Relay	
Model No.	BBXW-4	Relay function	Phase sequence detection, overvoltage, undervoltage protection, phase loss protection
Rated Voltage	400V/480V/690VAC	Metering	Optional
Rated Current Per Input	0-100A		
Input	4 strings		
Output	1 string		
Electrical Characteristics		Enclosure	
Applicable system	Three-phase four-wire / three-phase five-wire	Material Type	304 stainless steel, cold rolled steel, galvanized steel
Maximum Breaking Capacity Input	MCCB 35KA(400V); 8KA(690V)	Degree of Protection	IP65
Maximum Breaking Capacity Output	MCCB 50KA(400V); 10KA(690V)		
AC Surge Arrester(B/20μs)	T2, In=20KA, I _{max} =40KA		
Rated Insulation level		Environment	
Electrical insulation	Clearance ≥ 14mm, creepage distance ≥ 25mm	Operating Temperature	-20°C~+50°C
Main circuit to earthing	AC3000V 5s	Altitude	≤ 2000m
Between phases	AC3000V 5s	Installation	Wall Mounting



BBXW-4



ZJBENY design and assemble AC combiner box and AC distribution box for solar PV systems AC side string protection and distribution. To reduce the system connection cable length and improve the reliability of the system, it is necessary to use the AC grid box between the inverter and the network cabinet. AC combine box has lightning protection and switch isolation, set aside energy measurement function, for single-phase energy and three-phase energy measurement and control management.



AC Combiner box BBXW-6



General Data

Model No.	BBXW-6
Rated Voltage	400V/480V/690VAC
Rated Current Per Input	0-100A
Input	6 strings
Output	1 string

Relay

Relay function	Phase sequence detection, overvoltage, undervoltage protection, phase loss protection
Metering	Optional

Electrical Characteristics

Applicable system	Three-phase four-wire / three-phase five-wire
Maximum Breaking Capacity Input	MCCB 35KA(400V); 8KA(690V)
Maximum Breaking Capacity Output	MCCB 50KA(400V); 10KA(690V)
AC Surge Arrester(8/20 μ s)	T2, In=20KA, I _{max} =40KA

Enclosure

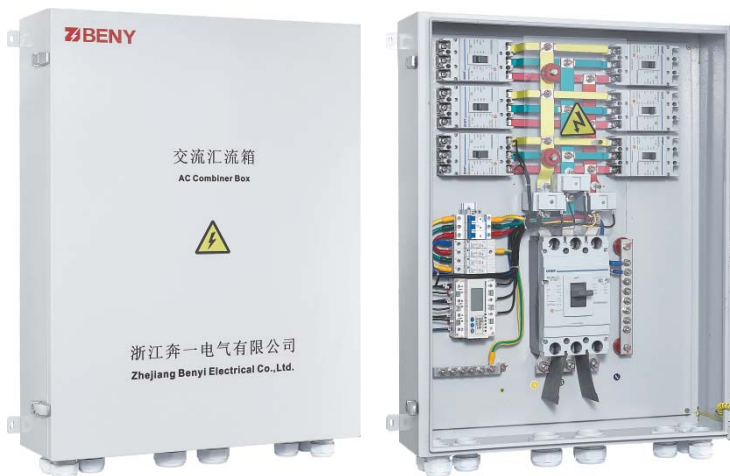
Material Type	304 stainless steel, cold rolled steel, galvanized steel
Degree of Protection	IP65

Rated Insulation level

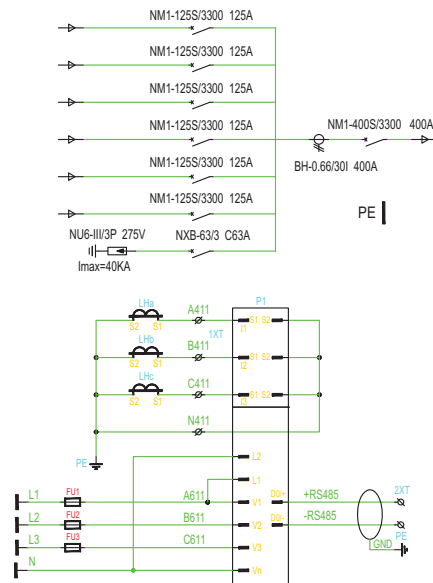
Electrical insulation	Clearance \geq 14mm, creepage distance \geq 25mm
Main circuit to earthing	AC3000V 5s
Between phases	AC3000V 5s

Environment

Operating Temperature	-20°C~+50°C
Altitude	\leq 2000m
Installation	Wall Mounting



BBXW-6



ZJBENY design and assemble AC combiner box and AC distribution box for solar PV systems AC side string protection and distribution. To reduce the system connection cable length and improve the reliability of the system, it is necessary to use the AC grid box between the inverter and the network cabinet. AC combine box has lightning protection and switch isolation, set aside energy measurement function, for single-phase energy and three-phase energy measurement and control management.



Solar DC String Box

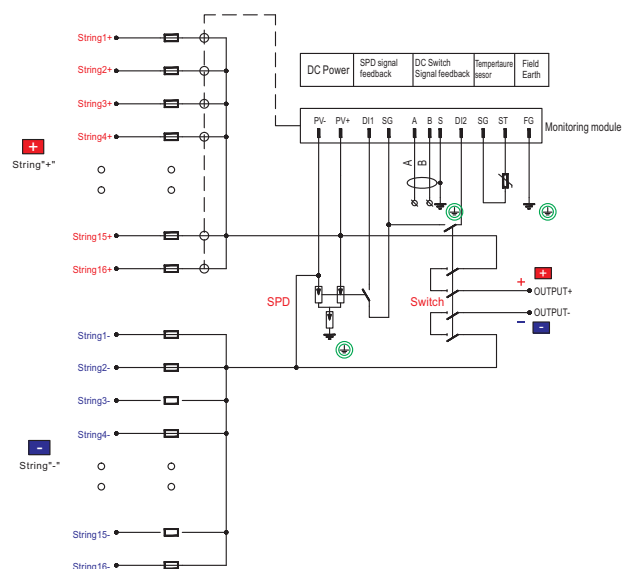
16 Strings Input 1 String Output DC



General Data		DC Surge Arrester	BUD-1500
Model No.	BHTZ-16/1 1500V	Max Operation Voltage (Ucpv)	1500V
Input	16 strings	Standard Compliance with	EN 50539 Type 2
Output	1 string	Maximum Discharge Current	40 KA
Maximum Voltage	1500V	Certification	TUV CE
Max DC Short Circuit Current Per Input (Isc)	15A (Changeable)	String Monitoring Device	Yes (optional)
Maximum Current Output	250A	Diode for the Function of Anti-Reflex	Yes (optional)
Enclosure		DC fuse holder	
Material Type	Metal	LED Indicator	Yes
Degree of Protection	IP65	Rated Working Voltage	1500V
Degree of Resistance to Impacts	IK10	Fuse Link	BUSSMAN 1500V 15A
Dimension (WxHxD)	1000 x 670x 300mm	Certification	UL,CB,CE
Cable input Entry	PG09 Cable Gland, 2.5-16mm ²		
Output Cable Gland	PG36 50-70mm ²		
DC Switch Disconnecter		Environment	
Rated Insulation Voltage (Ui)	1500V	Operating Temperature	-20°C~+60°C
Rated Current (Ie)	250A	Humidity	99%
Standard Compliance with	IEC 60947-3	Altitude	2000M
Certification	UL TUV CE	Installation	Wall Mounting



BHTZ-16/1 1500V



1500V solar PV systems requires higher voltage level equipments, also require higher level protection. ZJBENY is supplying more cost efficient 1500V DC protection solutions to EPCs.



PV Waterproof Box

08 Modules



Protection

Protection class	IP 65
Insulation	Class II
Material	polycarbonate/ABS
Shock resistance	IK10
Protection against chemicals and weather conditions	Water, saline solutions, acids, basics, mineral oils, UV rays
Operating temperature	-25°C~+100°C

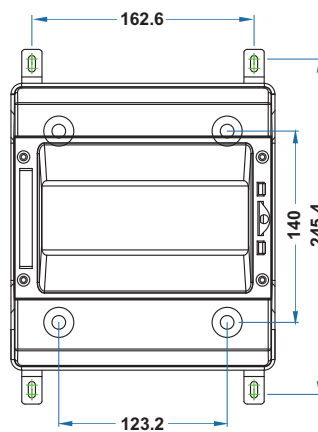
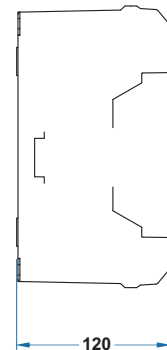
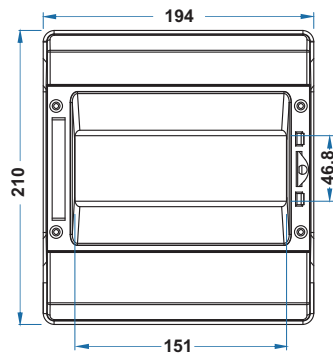
Performance

Nominal insulation voltage	1000V AC~1500V DC
Flexibility WxHxD, external dimensions	210x194x120mm

Unit:mm



BX08





PV Waterproof Box

13 Modules



Protection

Protection class	IP 65
Insulation	Class II
Material	polycarbonate/ABS
Shock resistance	IK10
Protection against chemicals and weather conditions	Water, saline solutions, acids, basics, mineral oils, UV rays
Operating temperature	-25°C~+100°C

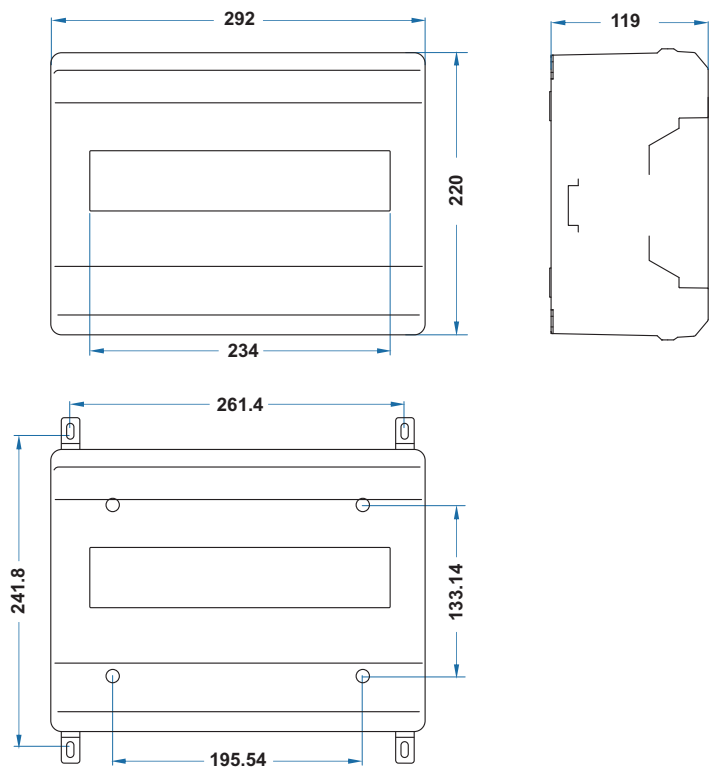
Performance

Nominal insulation voltage	1000V AC~1500V DC
Flexibility WxHxD, external dimensions	292x220x119mm

Unit:mm



BX13



ZHEJIANG BENYI ELECTRICAL CO., LTD

Wenzhou Bridge Industrial Zone,
Beibaixiang Town, Zhejiang China

TEL: +86-577-5717 7008
FAX: +86-577-5717 7007

www.zjbeny.com
E-mail: benyi@zjbeny.com



PV Waterproof Box 15 Modules



Protection

Protection class	IP 65
Insulation	Class II
Material	polycarbonate/ABS
Shock resistance	IK10
Protection against chemicals and weather conditions	Water, saline solutions, acids, basics, mineral oils, UV rays
Operating temperature	-25°C~+100°C

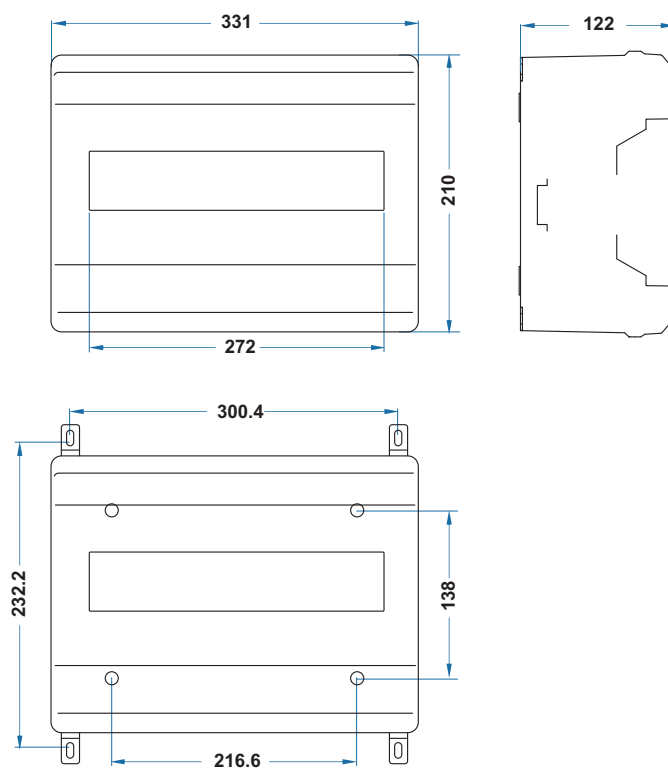
Performance

Nominal insulation voltage	1000V AC~1500V DC
Flexibility WxHxD, external dimensions	331x210x122mm

Unit:mm



BX15



ZHEJIANG BENYI ELECTRICAL CO., LTD

Wenzhou Bridge Industrial Zone,
Beibaixiang Town, Zhejiang China

TEL: +86-577-5717 7008
FAX: +86-577-5717 7007

www.zjbeny.com
E-mail: benyi@zjbeny.com



PV Waterproof Box

26 Modules



Protection

Protection class	IP 65
Insulation	Class II
Material	polycarbonate/ABS
Shock resistance	IK10
Protection against chemicals and weather conditions	Water, saline solutions, acids, basics, mineral oils, UV rays
Operating temperature	-25°C~+100°C

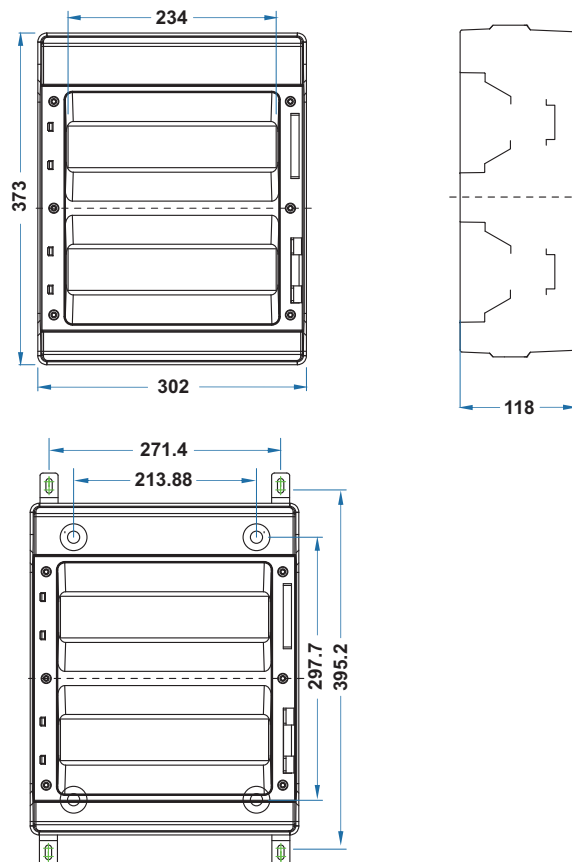
Performance

Nominal insulation voltage	1000V AC~1500V DC
Flexibility WxHxD, external dimensions	302x373x118mm

Unit:mm



BX26



ZHEJIANG BENYI ELECTRICAL CO., LTD

Wenzhou Bridge Industrial Zone,
Beibaixiang Town, Zhejiang China

TEL: +86-577-5717 7008
FAX: +86-577-5717 7007

www.zjbeny.com
E-mail: benyi@zjbeny.com

ZJBENY String Boxes In Projects



- ◆ 73% market share in AU of DC switch
- ◆ Top 1 DC components manufacturer in China
- ◆ Top 1 Solar String Box manufacturer in China



ZHEJIANG BENYI ELECTRICAL CO., LTD.

Address: Wenzhou Bridge Industrial Zone,
Beibaixiang Town, Zhejiang, China

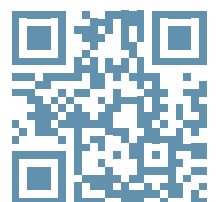
TEL: +86-577-5717 7008

FAX: +86-577-5717 7007

E-mail: benyi@zjbeny.com

Http: // www.zjbeny.com

⚠ If the models and specifications in this product catalogue is changed due to the change of products, we will not inform.



Scan it to ZJBENY website!